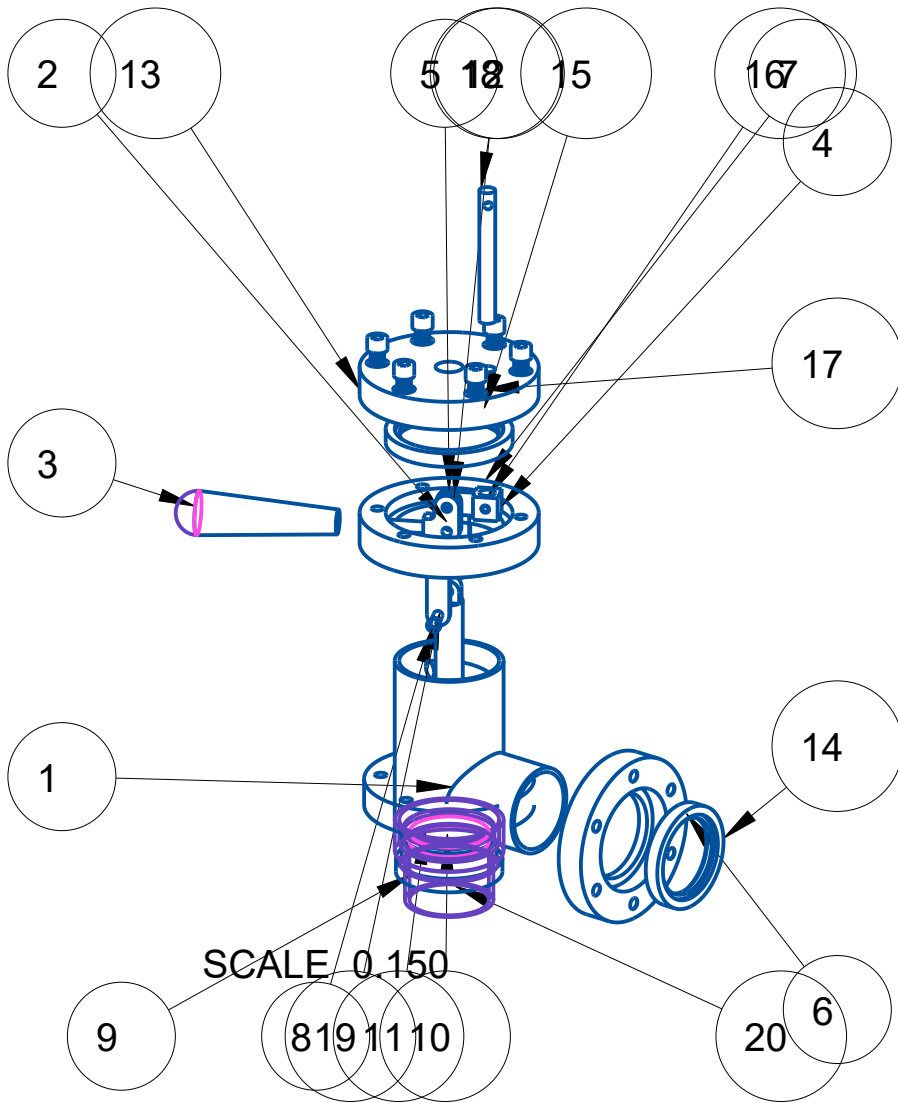
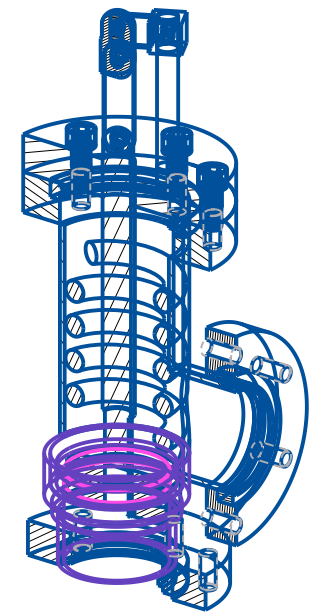


REVISIONS					
ECN	REV	DESCRIPTION	DATE	REVISED BY	APPROVED



SCALE 0.150



SECTION XSEC01-XSEC01  
SCALE 0.200

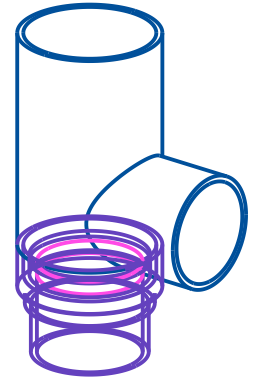
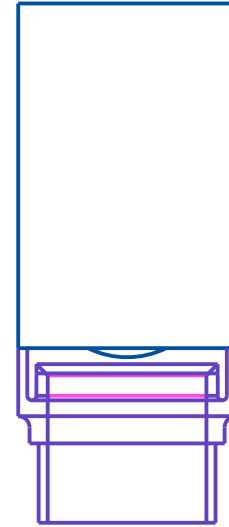
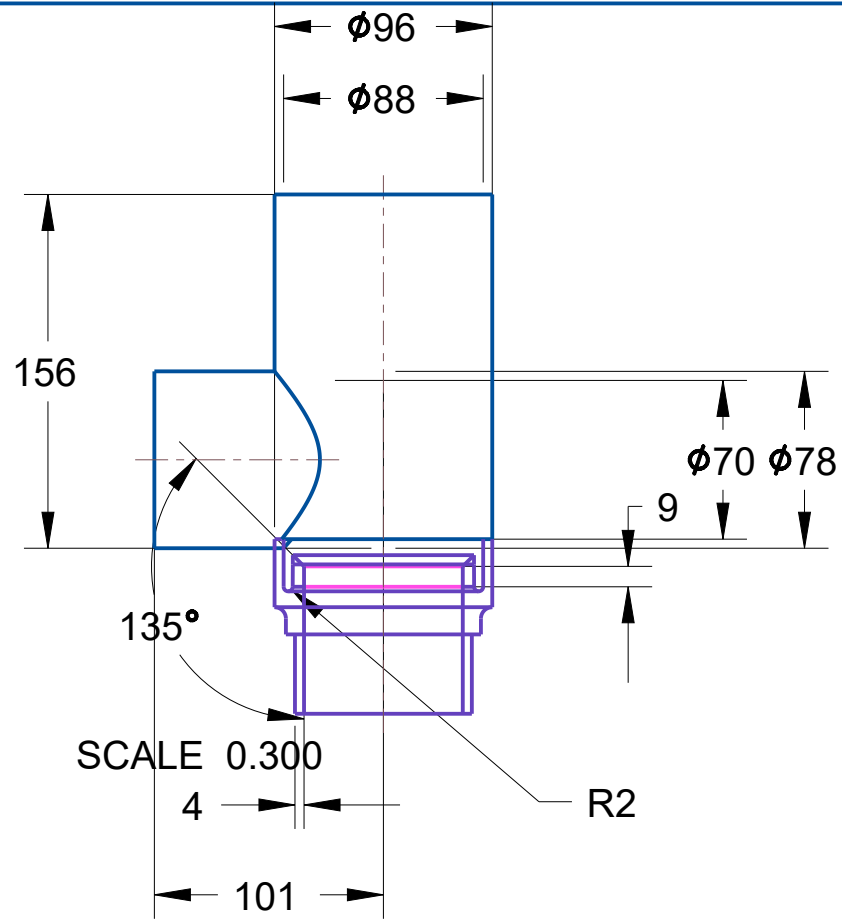
DET	QTY	NAME	MATERIAL	DESCRIPTION
20	1	FP EXT RET RING METRIC		
19	4	FP E TYPE RET RING METRIC		
18	1	FP SPRING PIN METRIC		
17	6	FP SOCKET HEAD CAP SCREW LI		
16	1	FP EXP PIN METRIC		
15	1	002 AAN257 WELDRING2		
14	2	002 AAN257 WELDRING		
13	1	002 AAN257 VALVETOP		
12	1	002 AAN257 SUPPORT		
11	1	002 AAN257 SPRING		
10	1	002 AAN257 SHAFT		
9	1	002 AAN257 PISTON		
8	2	002 AAN257 PIN		
7	1	002 AAN257 MATINGRINGB		
6	2	002 AAN257 MATINGRINGA		
5	1	002 AAN257 JOINTB		
4	1	002 AAN257 JOINTA		
3	1	002 AAN257 HANDLE		
2	2	002 AAN257 BRACE		
1	1	002 AAN257 BODY		

UNLESS OTHERWISE SPECIFIED DIMENSIONS ARE IN INCHES TOLERANCE ON	SIGNATURES	DATE	DESCRIPTION
2 PL DECIMALS 0.01	DRAWN	May-01-20	AMA ANANABA AAN257
3 PL DECIMALS 0.001	CHECKED		
ANGLES 0.5	APPROVED		
FRACTIONS XXXX			

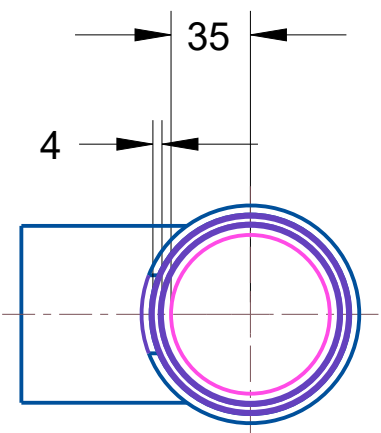
002\_AAN257\_PROJECTASSEMBLY

	MECHANICAL ENGINEERING DEPT UNIVERSITY OF KENTUCKY		SCALE	DRW FILE	SHEET
	0.111	002_AAN257_DRAWING	1 OF 16		

REVISIONS					
ECN	REV	DESCRIPTION	DATE	REVISED BY	APPROVED



SCALE 0.200

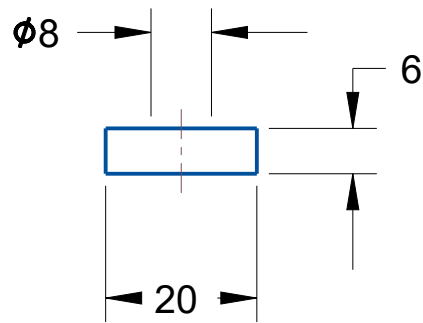
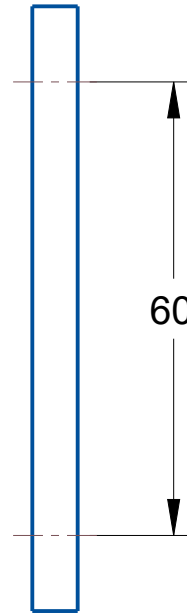
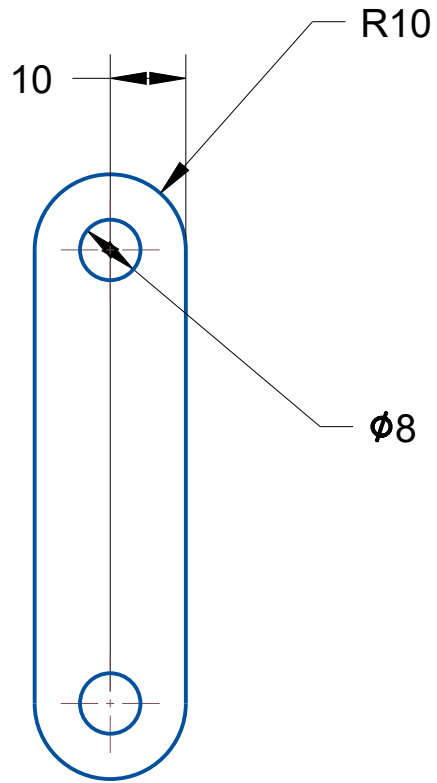



UNLESS OTHERWISE SPECIFIED DIMENSIONS ARE IN INCHES TOLERANCE ON	SIGNATURES	DATE
2 PL DECIMALS 0.01	DRAWN	May-01-20
3 PL DECIMALS 0.001	CHECKED	
ANGLES 0.5	APPROVED	
FRACTIONS XXXX		

SIZE A	MODEL TYPE ASSEM	DRW #	REV X
SCALE 0.111	DRW FILE 002_AAN257_DRAWING	SHEET 2 OF 16	

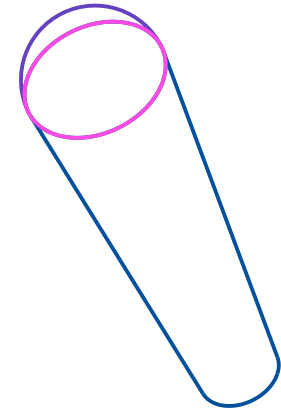
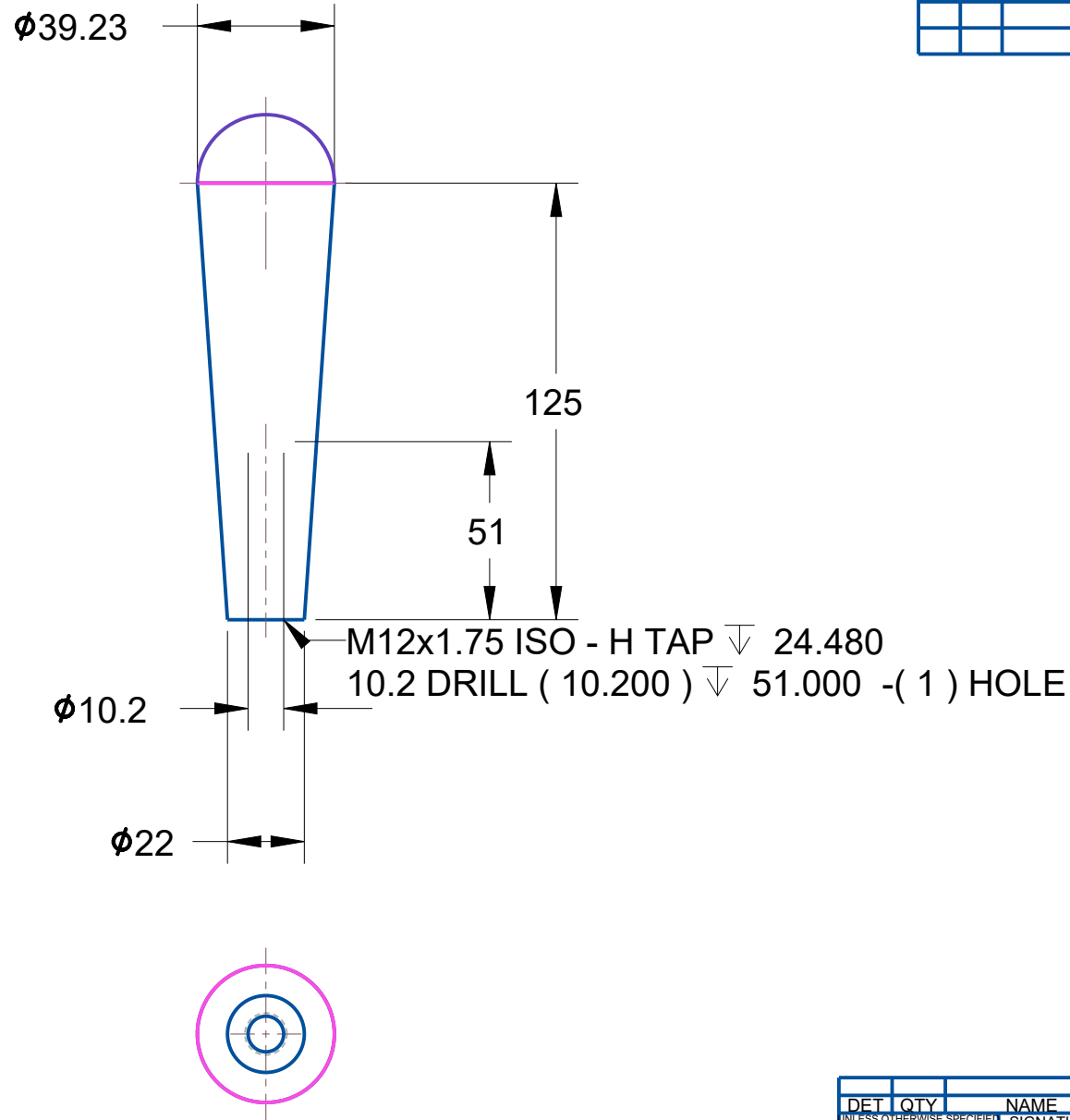
STUDENT NAME AND LOGIN  
002\_AAN257\_PROJECTASSEMBLY

REVISIONS					
ECN	REV	DESCRIPTION	DATE	REVISED BY	APPROVED



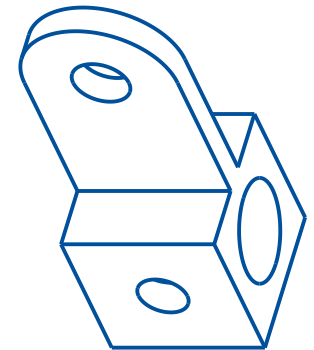
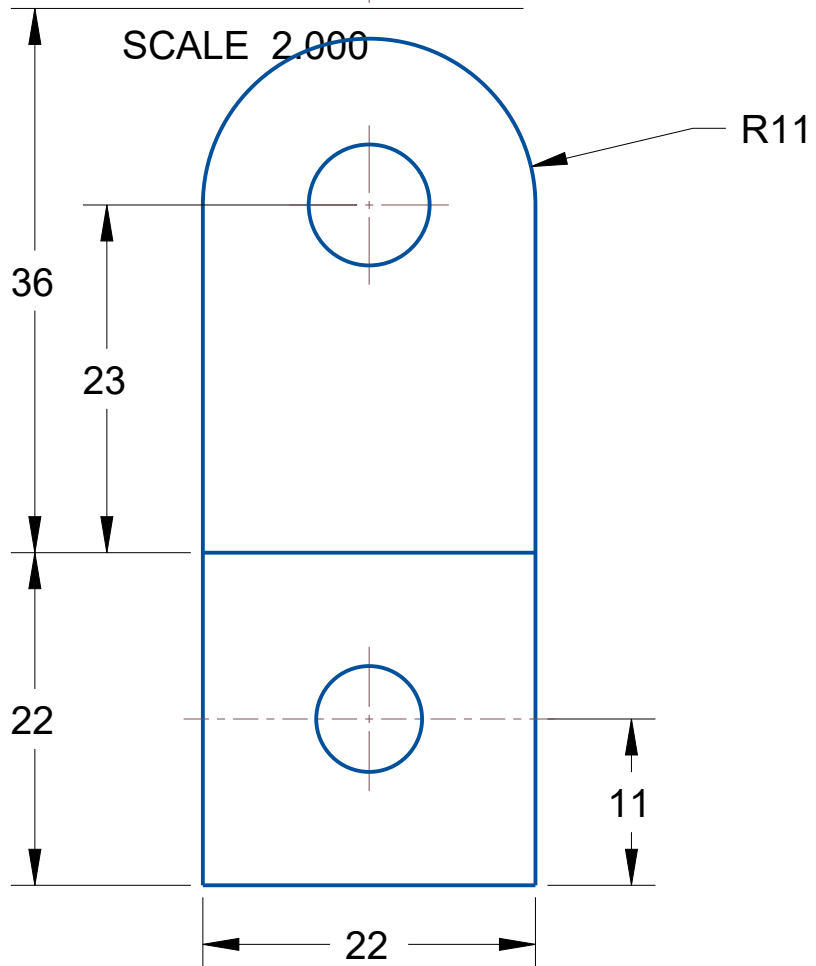
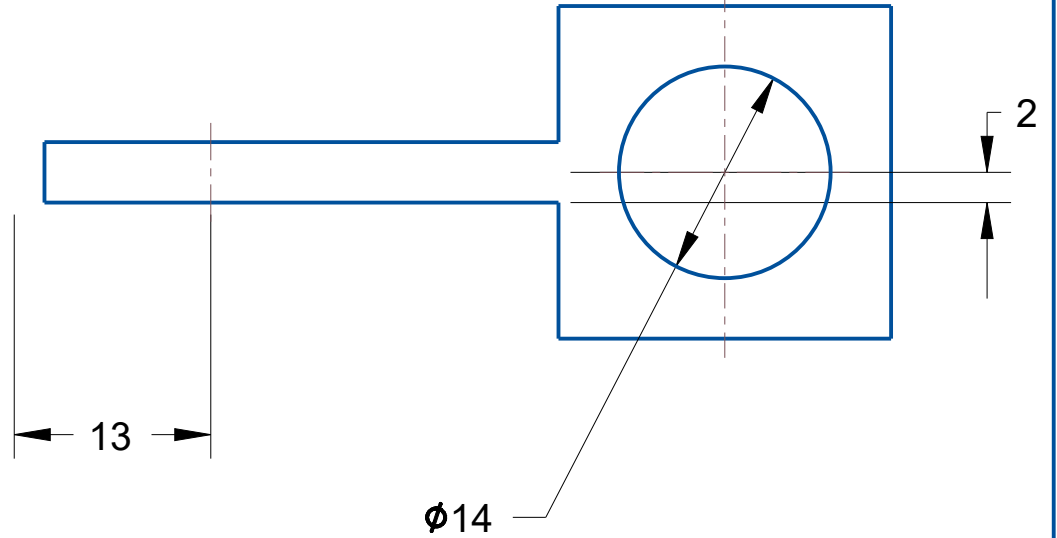
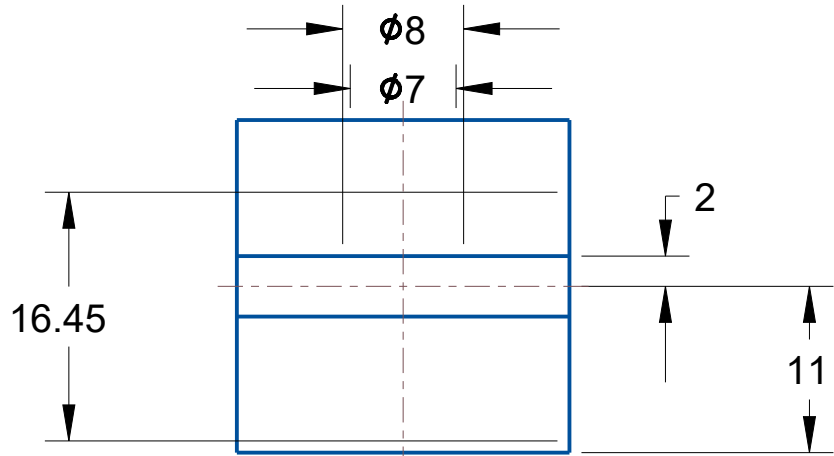
DET	QTY	NAME	MATERIAL	DESCRIPTION			
UNLESS OTHERWISE SPECIFIED		SIGNATURES	DATE	STUDENT NAME AND LOGIN			
DIMENSIONS ARE IN INCHES		DRAWN	May-01-20				
TOLERANCE ON		CHECKED		002_AAN257_BODY			
2 PL DECIMALS	0.01	APPROVED					
3 PL DECIMALS	0.001						
ANGLES	0.5						
FRACTIONS	XXXX						
 MECHANICAL ENGINEERING DEPT UNIVERSITY OF KENTUCKY			SIZE A	MODEL / USE PART	DRW #	REV X	
SCALE			0.250	DRW FILE	002_AAN257_DRAWING	SHEET	3 OF 16

REVISIONS					
ECN	REV	DESCRIPTION	DATE	REVISED BY	APPROVED



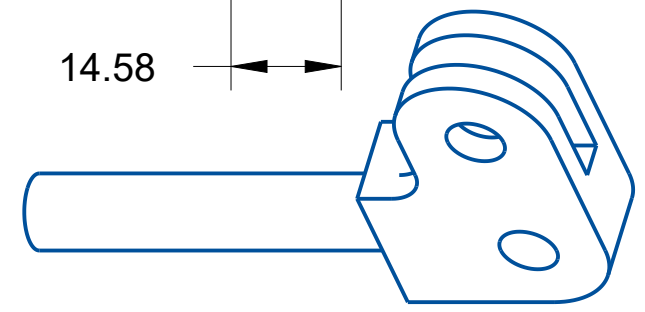
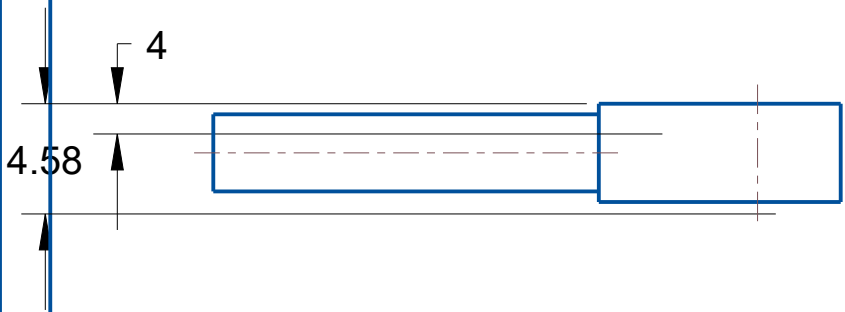
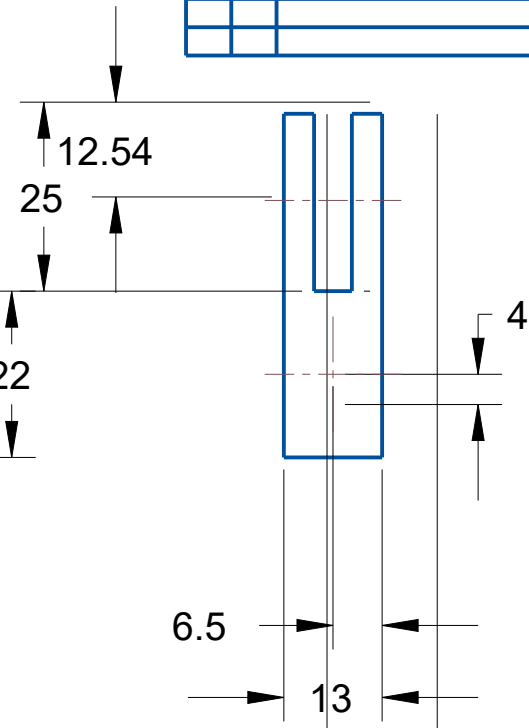
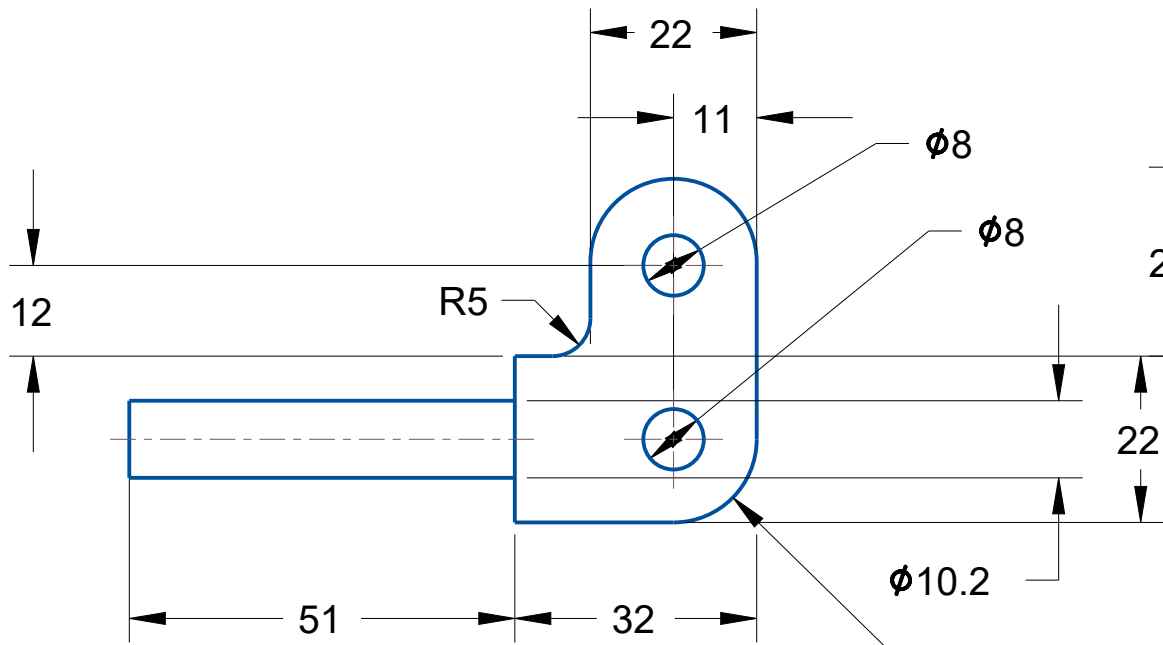
DET	QTY	NAME	MATERIAL	DESCRIPTION
UNLESS OTHERWISE SPECIFIED	SIGNATURES	DATE	STUDENT NAME AND LOGIN	
DIMENSIONS ARE IN INCHES	DRAWN	May-01-20		
TOLERANCE ON	CHECKED		002_AAN257_BODY	
2 PL DECIMALS 0.01	APPROVED			
3 PL DECIMALS 0.001				
ANGLES 0.5				
FRACTIONS XXXX				
MECHANICAL ENGINEERING DEPT UNIVERSITY OF KENTUCKY			SIZE	MODEL / USE
			A	PART
			SCALE	DRW #
			0.250	002_AAN257_DRAWING
			SHEET	REV X
			4 OF 16	

REVISIONS					
ECN	REV	DESCRIPTION	DATE	REVISED BY	APPROVED



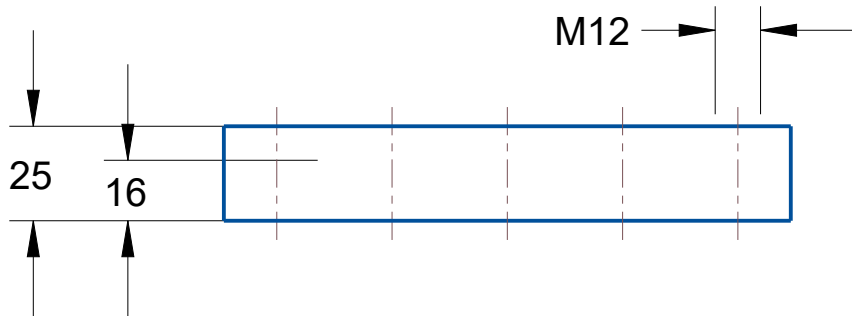
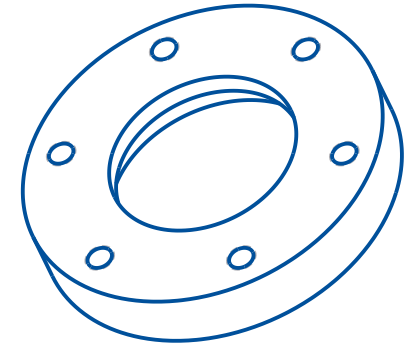
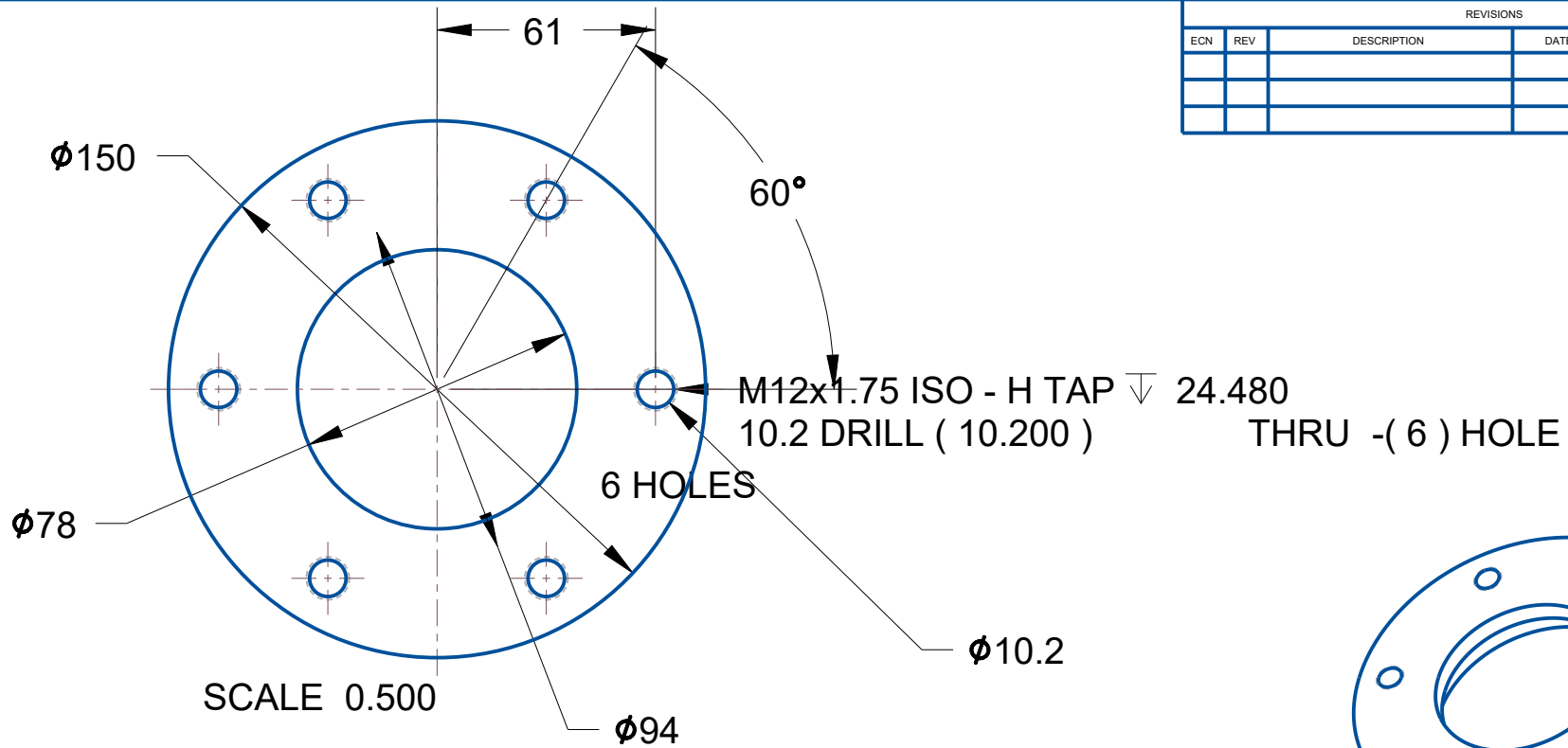
DET	QTY	NAME	MATERIAL	DESCRIPTION
		SIGNATURES	DATE	STUDENT NAME AND LOGIN
		DRAWN	May-01-20	
		CHECKED		002_AAN257_BODY
		APPROVED		
UNLESS OTHERWISE SPECIFIED DIMENSIONS ARE IN INCHES TOLERANCE ON				
2 PL DECIMALS	0.01			
3 PL DECIMALS	0.001			
ANGLES	0.5			
FRACTIONS	XXXX			
UK MECHANICAL ENGINEERING DEPT UNIVERSITY OF KENTUCKY		SIZE	MODEL TYPE	DRW #
		A	PART	
SCALE	DRW FILE	SHEET		
0.250	002_AAN257_DRAWING	5 OF 16		

REVISIONS					
ECN	REV	DESCRIPTION	DATE	REVISED BY	APPROVED



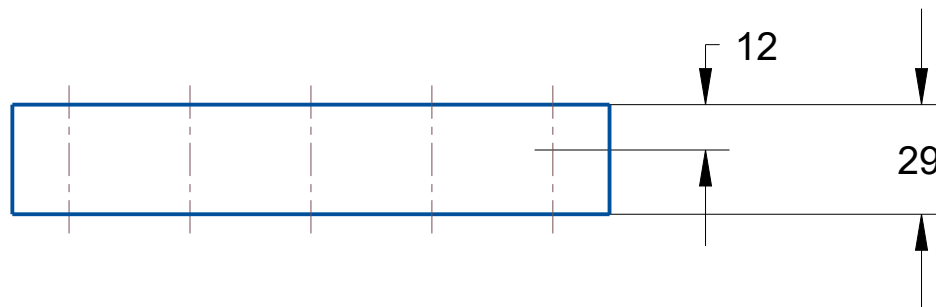
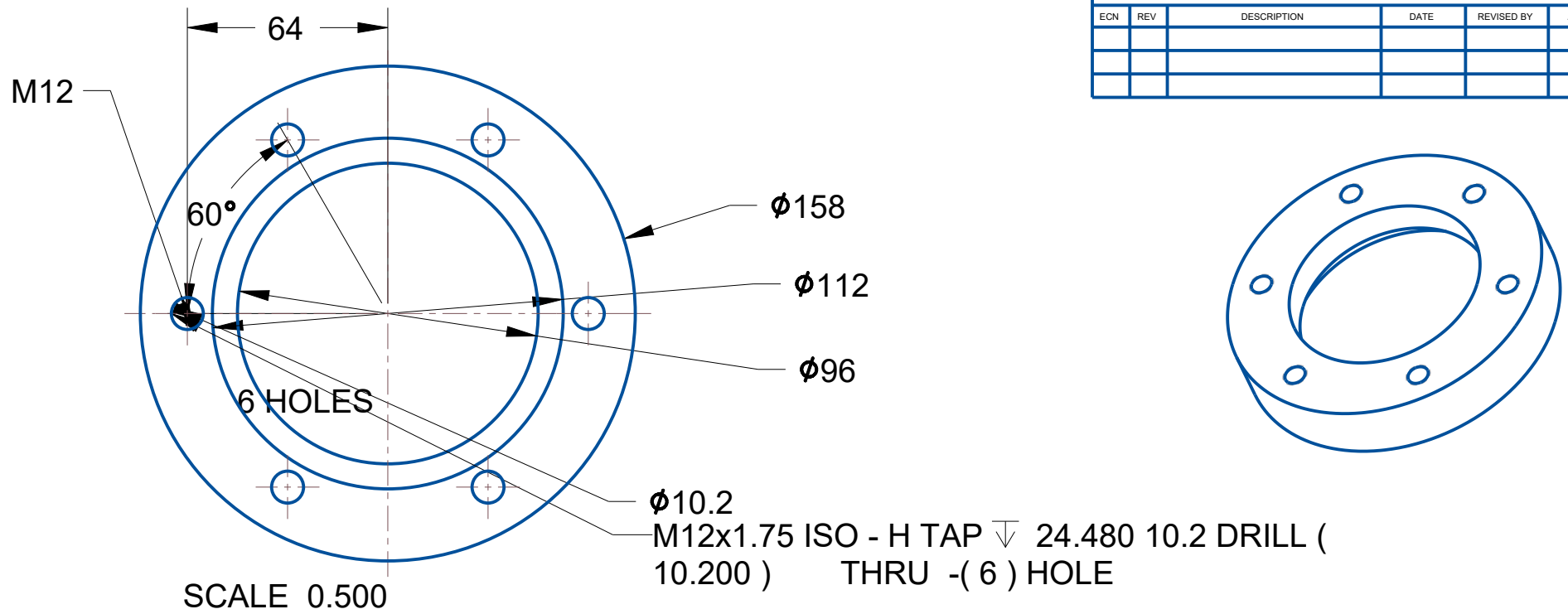
DET	QTY	NAME	MATERIAL	DESCRIPTION
		SIGNATURES	DATE	STUDENT NAME AND LOGIN
		DRAWN	May-01-20	
		CHECKED		002_AAN257_BODY
		APPROVED		
MECHANICAL ENGINEERING DEPT UNIVERSITY OF KENTUCKY				SIZE: $\frac{3}{4}$ " SCALE: 0.250
MODEL NAME: PART DRAWN FILE: 002_AAN257_DRAWING				REV: X SHEET: 6 OF 16

REVISIONS					
ECN	REV	DESCRIPTION	DATE	REVISED BY	APPROVED



DET	QTY	NAME	MATERIAL	DESCRIPTION
UNLESS OTHERWISE SPECIFIED		SIGNATURES	DATE	STUDENT NAME AND LOGIN
DIMENSIONS ARE IN INCHES		DRAWN	May-01-20	
TOLERANCE ON		CHECKED		002_AAN257_BODY
2 PL DECIMALS 0.01		APPROVED		
3 PL DECIMALS 0.001				
ANGLES 0.5				
FRACTIONS XXXX				
MECHANICAL ENGINEERING DEPT UNIVERSITY OF KENTUCKY			SIZE A	MODEL / PART PART
			DRW #	REV X
			SCALE 0.250	SHEET 7 OF 16

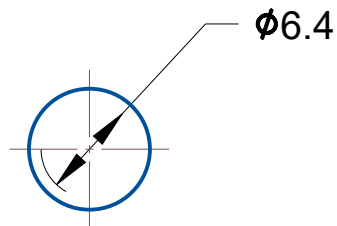
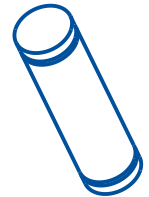
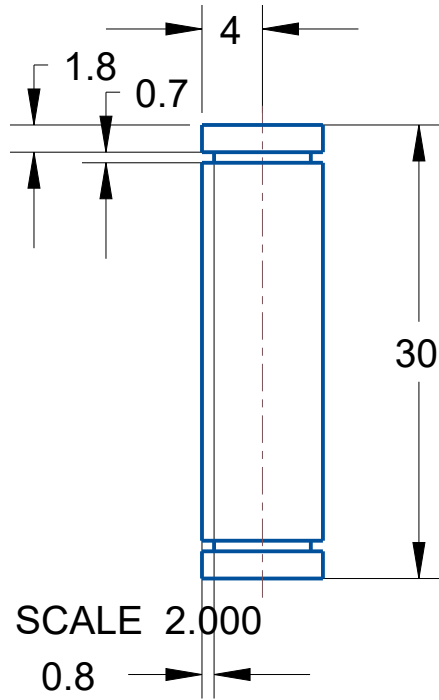
REVISIONS					
ECN	REV	DESCRIPTION	DATE	REVISED BY	APPROVED



DET	QTY	NAME	MATERIAL	DESCRIPTION
UNLESS OTHERWISE SPECIFIED		SIGNATURES	DATE	STUDENT NAME AND LOGIN
DIMENSIONS ARE IN INCHES		DRAWN	May-01-20	
TOLERANCE ON		CHECKED		002_AAN257_BODY
2 PL DECIMALS 0.01		APPROVED		
3 PL DECIMALS 0.001				
ANGLES 0.5				
FRACTIONS XXXX				
MECHANICAL ENGINEERING DEPT UNIVERSITY OF KENTUCKY			SIZE A	MODEL TYPE PART
			DRW #	REV X
			SCALE 0.250	DRW FILE 002_AAN257_DRAWING
			SHEET 8 OF 16	



REVISIONS					
ECN	REV	DESCRIPTION	DATE	REVISED BY	APPROVED

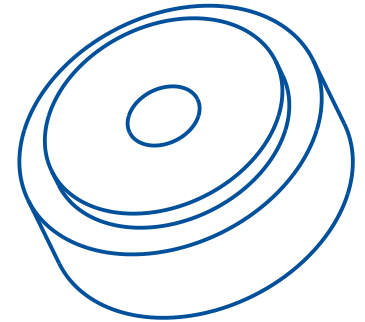
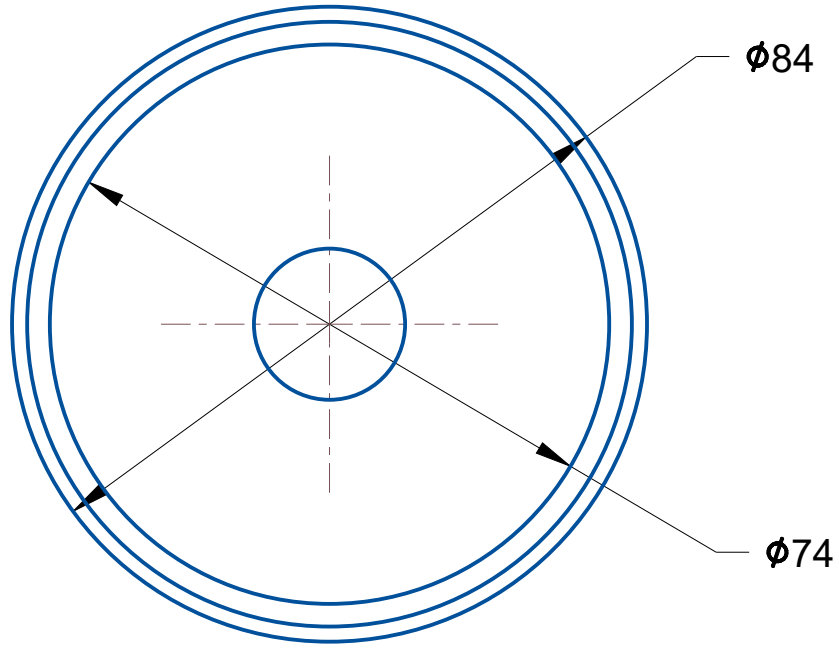


DET	QTY	NAME	MATERIAL	DESCRIPTION
UNLESS OTHERWISE SPECIFIED		SIGNATURES	DATE	STUDENT NAME AND LOGIN
DIMENSIONS ARE IN INCHES		DRAWN	May-01-20	
TOLERANCE ON		CHECKED		002_AAN257_BODY
2 PL DECIMALS	0.01	APPROVED		
3 PL DECIMALS	0.001			
ANGLES	0.5			
FRACTIONS	XXXX			

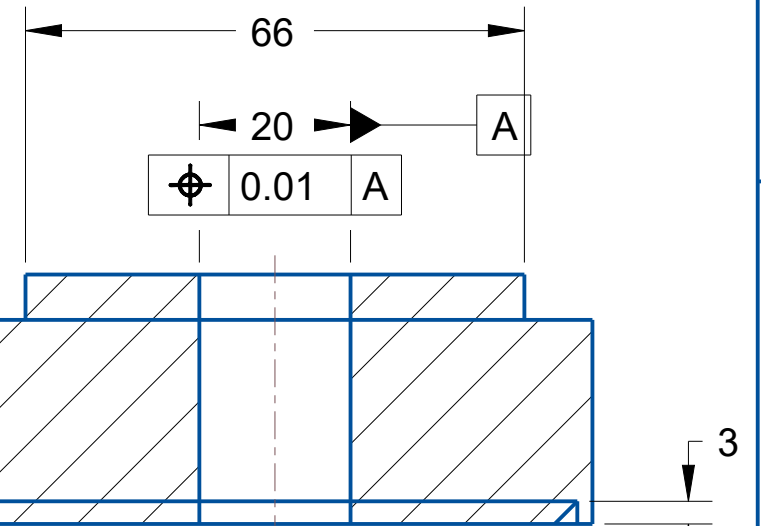
  

	MECHANICAL ENGINEERING DEPT	SIZE	MODEL / USE	DRW #	REV
	UNIVERSITY OF KENTUCKY	0.250	PART	002_AAN257_DRAWING	X
		SCALE	DRW FILE	SHEET	
		0.250	002_AAN257_DRAWING	9 OF 16	

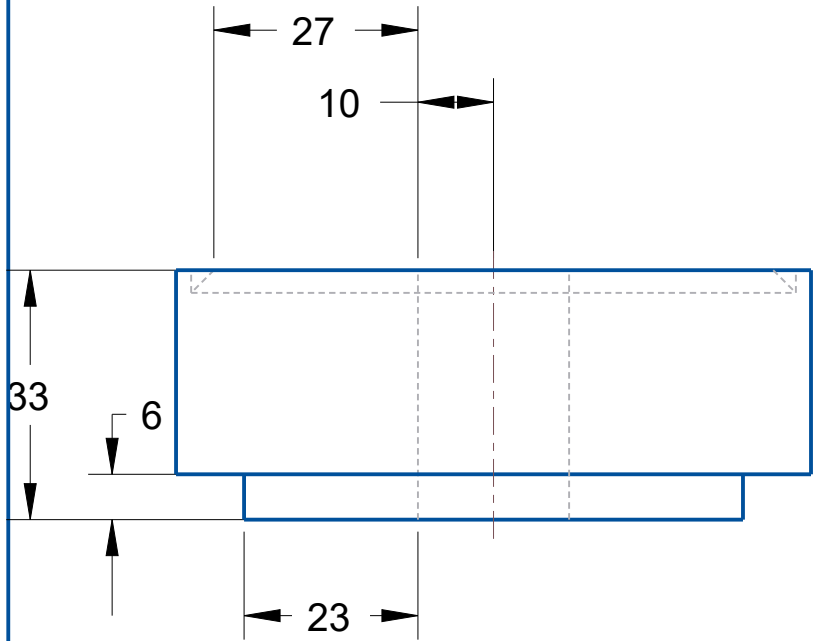
REVISIONS					
ECN	REV	DESCRIPTION	DATE	REVISED BY	APPROVED



SCALE 0.500

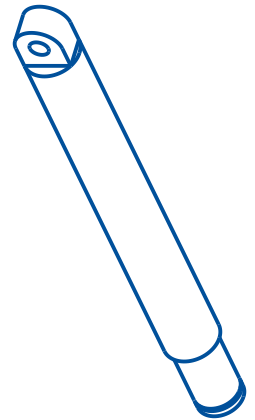
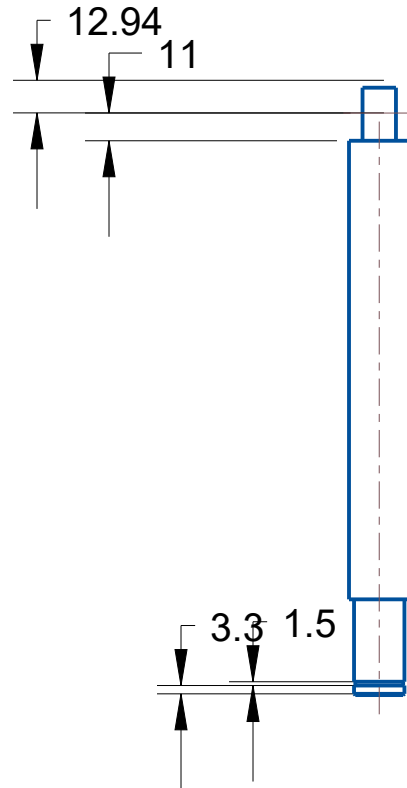
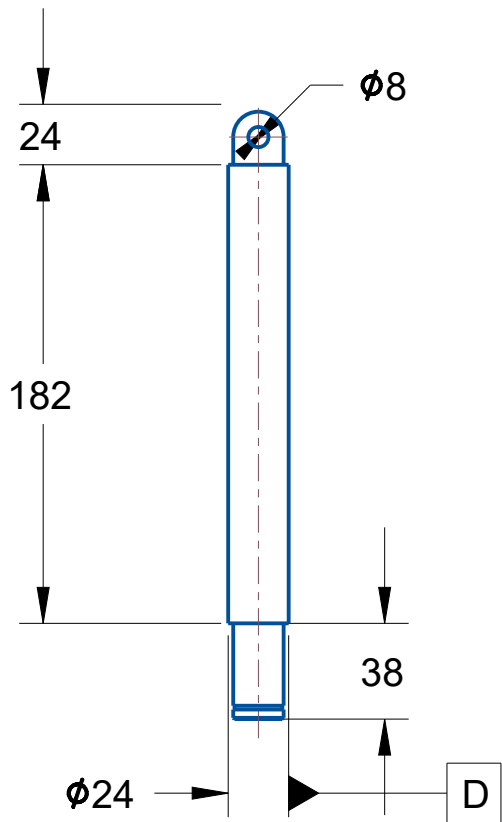


SECTION XSEC0001-XSEC0001

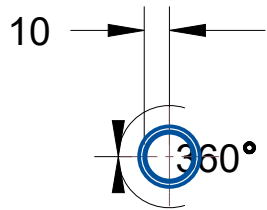


DET	QTY	NAME	MATERIAL	DESCRIPTION
UNLESS OTHERWISE SPECIFIED		SIGNATURES	DATE	STUDENT NAME AND LOGIN
DIMENSIONS ARE IN INCHES		DRAWN	May-01-20	
TOLERANCE ON		CHECKED		002_AAN257_BODY
2 PL DECIMALS 0.01		APPROVED		
3 PL DECIMALS 0.001				
ANGLES 0.5				
FRACTIONS XXXX				
			SCALE	DRW FILE
			0.250	002_AAN257_DRAWING
			SIZE	SHEET
			A	10 OF 16

REVISIONS					
ECN	REV	DESCRIPTION	DATE	REVISED BY	APPROVED

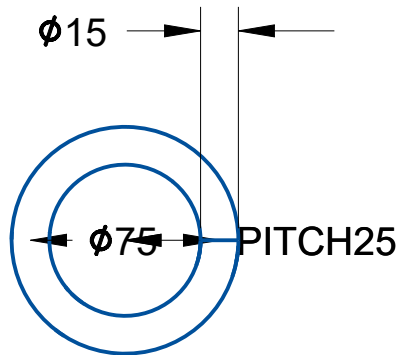
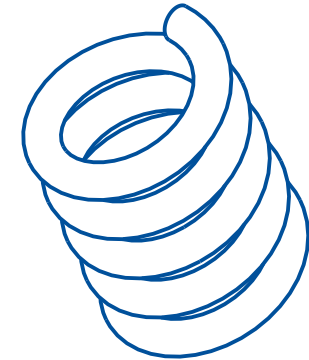
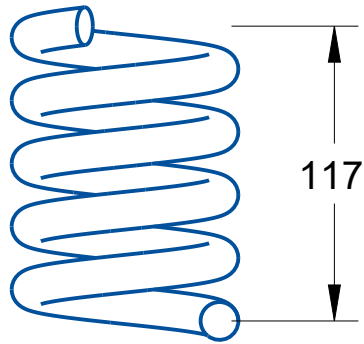



$\phi$  0.01

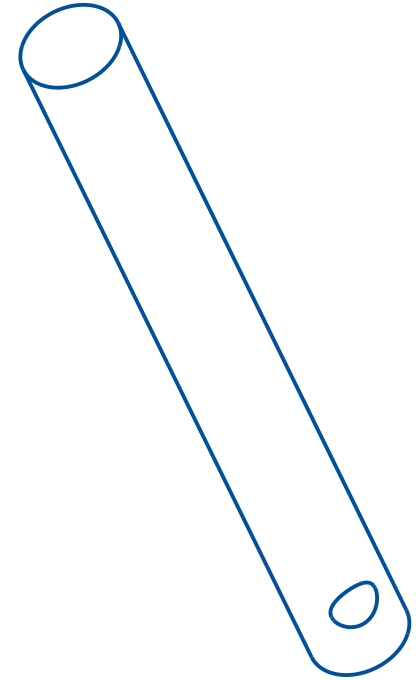
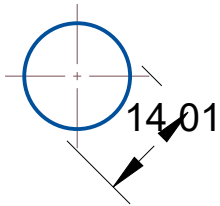
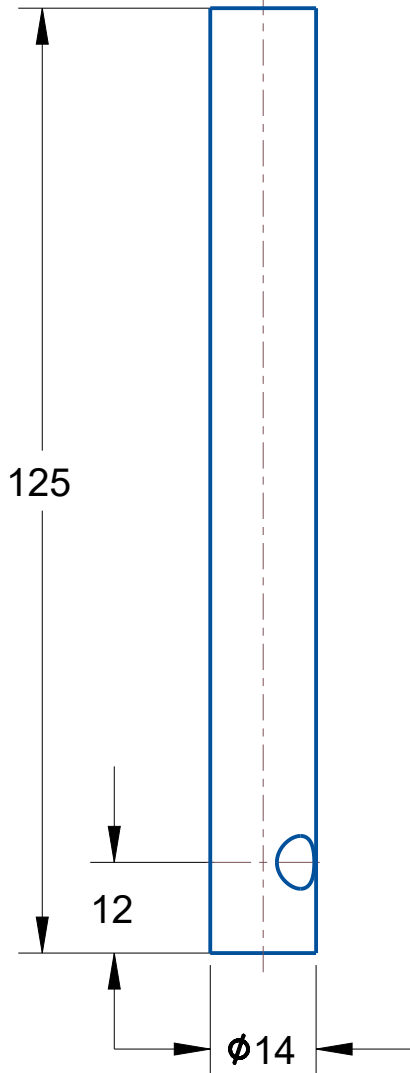


DET	QTY	NAME	MATERIAL	DESCRIPTION	
		SIGNATURES	DATE	STUDENT NAME AND LOGIN	
		DRAWN	May-01-20		
		CHECKED		002_AAN257_PISTON	
		APPROVED			
UNLESS OTHERWISE SPECIFIED DIMENSIONS ARE IN INCHES TOLERANCE ON					
2 PL DECIMALS	0.01				
3 PL DECIMALS	0.001				
ANGLES	0.5				
FRACTIONS	XXXX				
UK MECHANICAL ENGINEERING DEPT UNIVERSITY OF KENTUCKY		SIZE	MODEL / USE	DRW #	REV
		A	PART		X
		SCALE	DRW FILE	SHEET	
		1.000	002_AAN257_DRAWING	11 OF 16	

REVISIONS					
ECN	REV	DESCRIPTION	DATE	REVISED BY	APPROVED



DET	QTY	NAME	MATERIAL	DESCRIPTION		
UNLESS OTHERWISE SPECIFIED DIMENSIONS ARE IN INCHES		SIGNATURES	DATE	STUDENT NAME AND LOGIN		
TOLERANCE ON		DRAWN	May-01-20			
2 PL DECIMALS	0.01	CHECKED		002_AAN257_PISTON		
3 PL DECIMALS	0.001	APPROVED				
ANGLES	0.5					
FRACTIONS	XXXX					
 MECHANICAL ENGINEERING DEPT UNIVERSITY OF KENTUCKY			SIZE	MODEL / USE	DRW #	REV
			SCALE	PART		X
			1.000	002_AAN257_DRAWING	12	OF 16



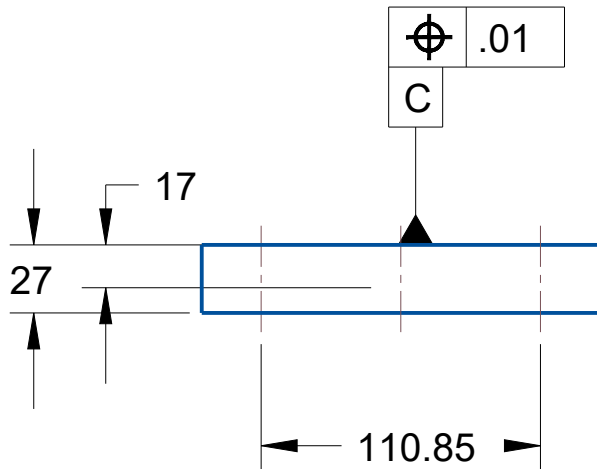
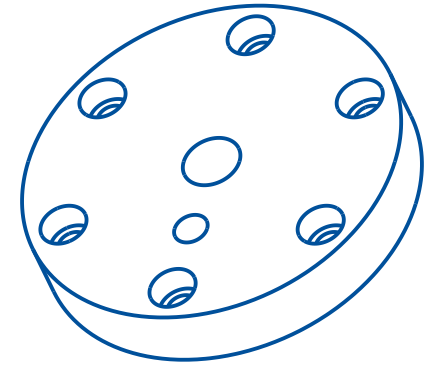
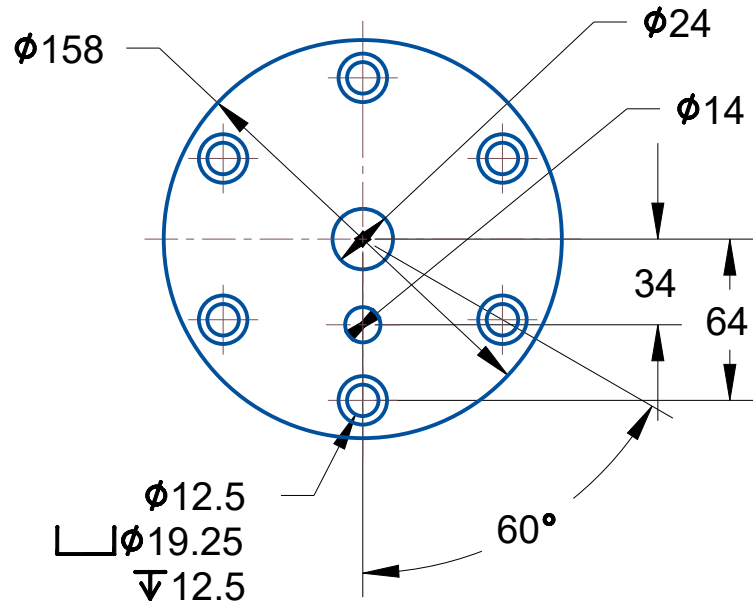
REVISIONS					
ECN	REV	DESCRIPTION	DATE	REVISED BY	APPROVED

DET	QTY	NAME	MATERIAL	DESCRIPTION
UNLESS OTHERWISE SPECIFIED DIMENSIONS ARE IN INCHES		SIGNATURES	DATE	STUDENT NAME AND LOGIN
TOLERANCE ON		DRAWN	May-01-20	
2 PL DECIMALS	0.01	CHECKED		002_AAN257_PISTON
3 PL DECIMALS	0.001	APPROVED		
ANGLES	0.5			
FRACTIONS	XXXX			

 MECHANICAL ENGINEERING DEPT UNIVERSITY OF KENTUCKY	SIZE	MODEL / USE	DRW #	REV
	A	PART		X
SCALE	DRW FILE	SHEET		
1.000	002_AAN257_DRAWING	13 OF 16		

REVISIONS					
ECN	REV	DESCRIPTION	DATE	REVISED BY	APPROVED



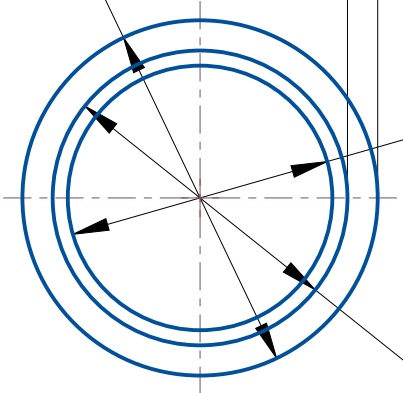
DET	QTY	NAME	MATERIAL	DESCRIPTION
UNLESS OTHERWISE SPECIFIED		SIGNATURES	DATE	STUDENT NAME AND LOGIN
DIMENSIONS ARE IN INCHES		DRAWN	May-01-20	
TOLERANCE ON		CHECKED		002_AAN257_PISTON
2 PL DECIMALS	0.01	APPROVED		
3 PL DECIMALS	0.001			
ANGLES	0.5			
FRACTIONS	XXXX			

 MECHANICAL ENGINEERING DEPT UNIVERSITY OF KENTUCKY	SIZE	MODEL / USE	DRW #	REV
	SCALE	PART	DRW FILE	SHEET
	1.000	002_AAN257_PISTON	14 OF 16	

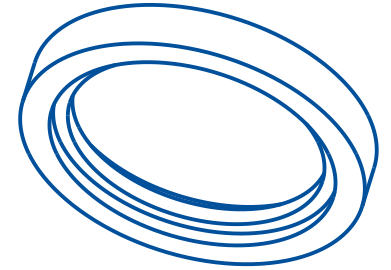
8 REF

Ø94



Ø70

Ø78




35

13

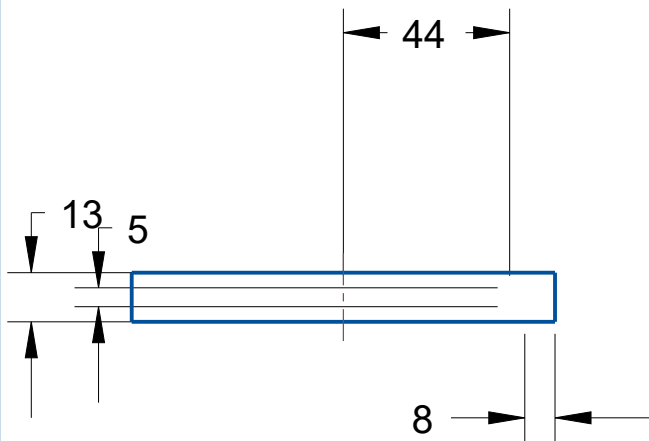
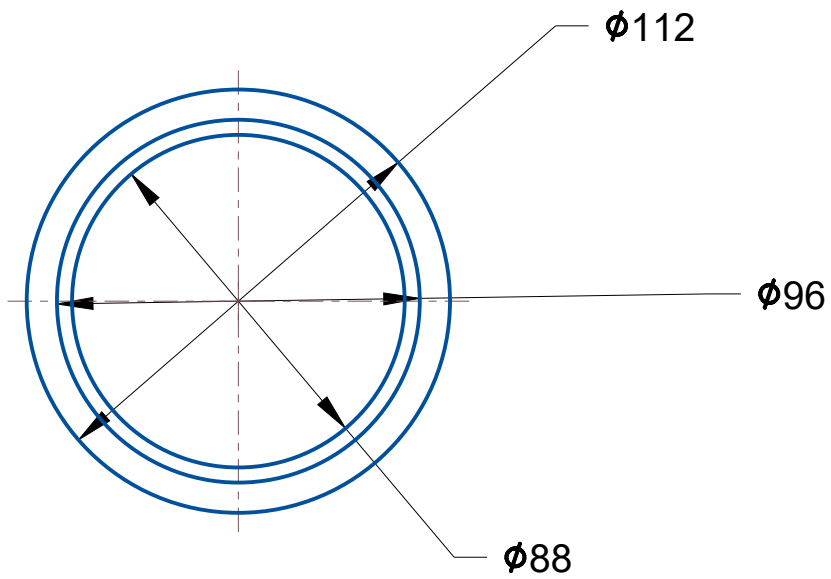
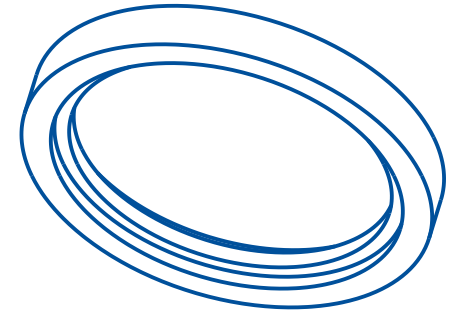


8

REVISIONS					
ECN	REV	DESCRIPTION	DATE	REVISED BY	APPROVED

DET	QTY	NAME	MATERIAL	DESCRIPTION		
UNLESS OTHERWISE SPECIFIED DIMENSIONS ARE IN INCHES		SIGNATURES	DATE	STUDENT NAME AND LOGIN		
TOLERANCE ON		DRAWN	May-01-20			
2 PL DECIMALS	0.01	CHECKED		002_AAN257_PISTON		
3 PL DECIMALS	0.001	APPROVED				
ANGLES	0.5					
FRACTIONS	XXXX					
 MECHANICAL ENGINEERING DEPT UNIVERSITY OF KENTUCKY			SIZE	MODEL / USE	DRW #	REV
			SCALE	PART		X
			1.000	002_AAN257_DRAWING	15 OF 16	

REVISIONS					
ECN	REV	DESCRIPTION	DATE	REVISED BY	APPROVED



DET	QTY	NAME	MATERIAL	DESCRIPTION
UNLESS OTHERWISE SPECIFIED		SIGNATURES	DATE	STUDENT NAME AND LOGIN
DIMENSIONS ARE IN INCHES		DRAWN	May-01-20	
TOLERANCE ON		CHECKED		002_AAN257_WELDRING
2 PL DECIMALS	0.01	APPROVED		
3 PL DECIMALS	0.001			
ANGLES	0.5			
FRACTIONS	XXXX			
MECHANICAL ENGINEERING DEPT UNIVERSITY OF KENTUCKY			SIZE	REV
			A	X
SCALE		MODEL / USE	DRW #	SHEET
0.500		PART	002 AAN257 DRAWING	16 OF 16