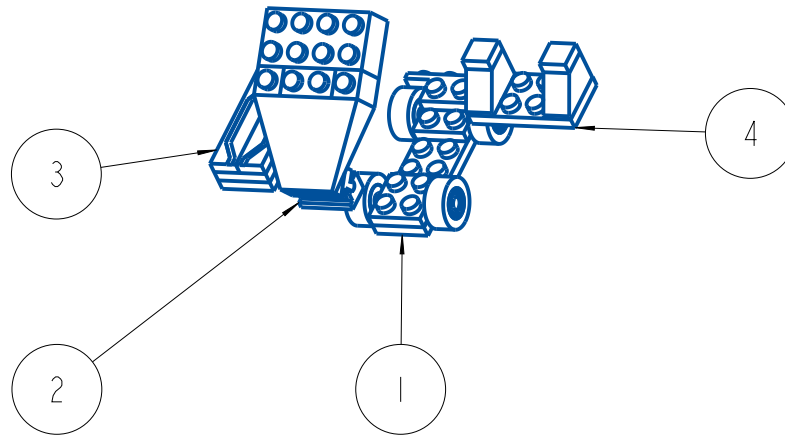

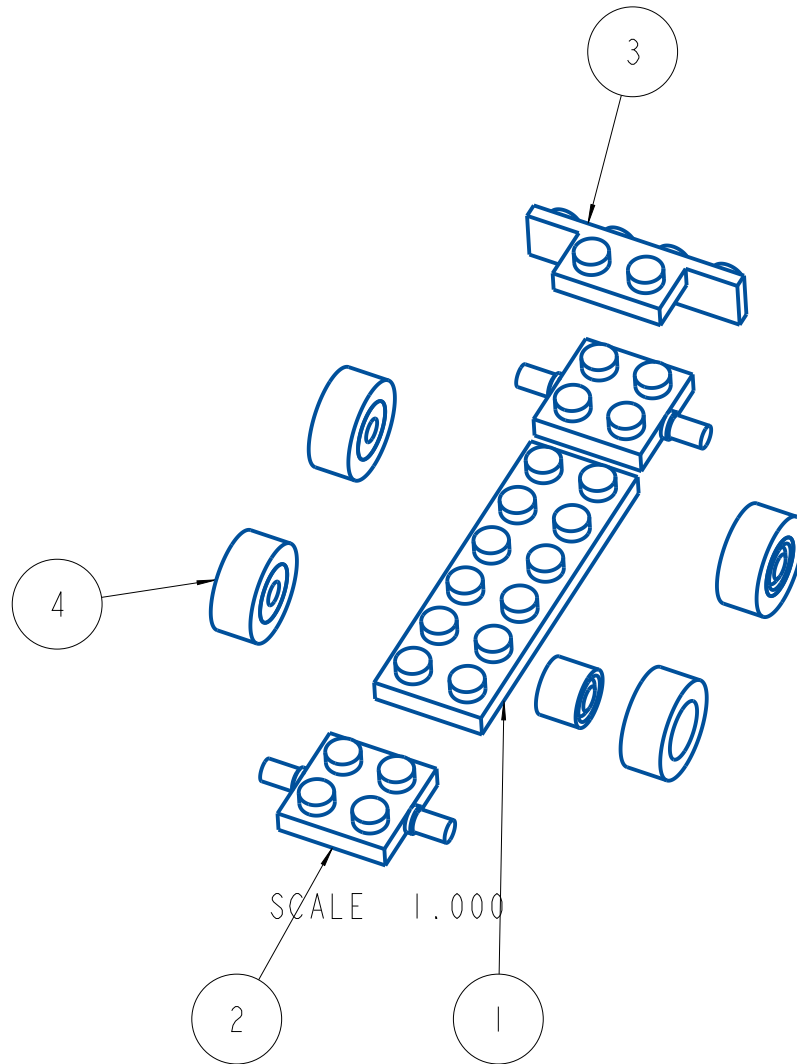



REVISIONS				
ECN	REV	DESCRIPTION	DATE	APPROVED



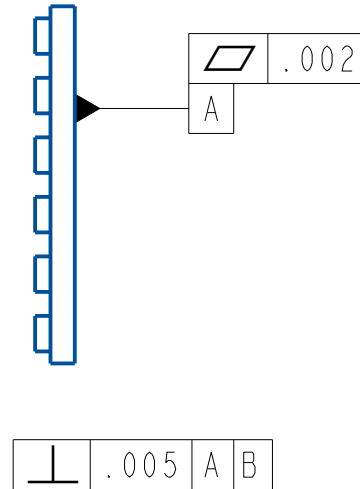
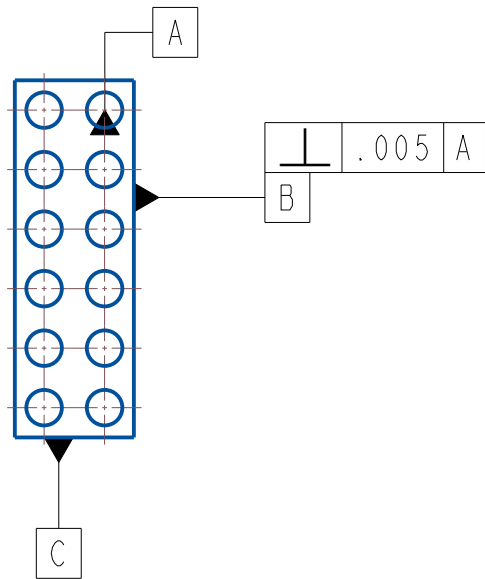
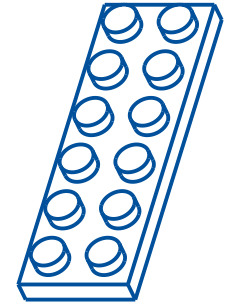
4	1	002_AAN257_STABILIZER			
3	1	002_AAN257_MTR_CTRL			
2	1	002_AAN257_LIFTMECH			
1	1	002_AAN257_CHASSIS			
DET	QTY	NAME	MATERIAL	DESCRIPTION	
UNLESS OTHERWISE SPECIFIED		SIGNATURES	DATE	Ama Ananaba aan257	
DIMENSIONS ARE IN INCHES		DRAWN	Apr-08-20	002_AAN257_VEEBOT	
TOLERANCE ON		CHECKED			
2 PL DECIMALS	0.01	APPROVED			
3 PL DECIMALS	0.001				
ANGLES	0.5				
FRACTIONS	XXXX				
 MECHANICAL ENGINEERING DEPT UNIVERSITY OF KENTUCKY			SIZE	MODEL: P2EM	DRW #
			SCALE	ASSEM	REV
			0.500	002_AAN257_HW9	1 OF 3
				DRW FILE	SHEET

REVISIONS				
ECN	REV	DESCRIPTION	DATE	APPROVED



4	4	002_AAN257_WHEEL_1		
3	1	BUMPER		
2	2	AXLE		
1	1	002_AAN257_CHASSIS		
DET. QTY		NAME	MATERIAL	DESCRIPTION
UNLESS OTHERWISE SPECIFIED		SIGNATURES	DATE	
DIMENSIONS ARE IN INCHES		DRAWN	Apr-08-20	Ama Ananaba aan257
TOLERANCE ON		CHECKED		002_AAN257_CHASSIS
2 PL DECIMALS	0.01	APPROVED		
3 PL DECIMALS	0.001			
ANGLES	0.5			
FRACTIONS	XXXX			
 MECHANICAL ENGINEERING DEPT UNIVERSITY OF KENTUCKY			SIZE	REV
SCALE			MODEL	ASSEM
1.000			DRW #	REV
002_AAN257_HW9			SHEET	2 OF 3

REVISIONS				
ECN	REV	DESCRIPTION	DATE	APPROVED



UNLESS OTHERWISE SPECIFIED DIMENSIONS ARE IN INCHES TOLERANCE ON	SIGNATURES	DATE	Ama Ananaba aan257 002_AAN257_VEEBOT
	DRAWN	Apr-08-20	
	CHECKED		
	APPROVED		
2 PL DECIMALS 0.01	SIZE A		MODEL TYPE ASSEM
3 PL DECIMALS 0.001	SCALE 0.500		DWG #
ANGLES 0.5	DWN FILE 002_AAN257_HW9		REV X
FRACTIONS XXXX	SHEET 3 OF 3		


 MECHANICAL ENGINEERING DEPT
 UNIVERSITY OF KENTUCKY